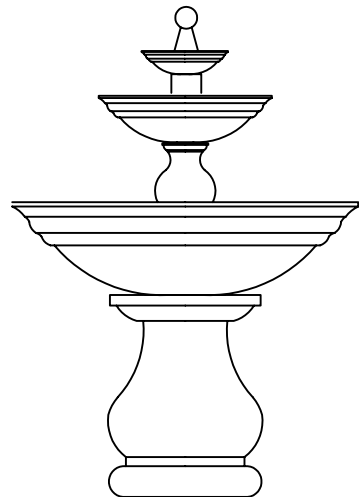
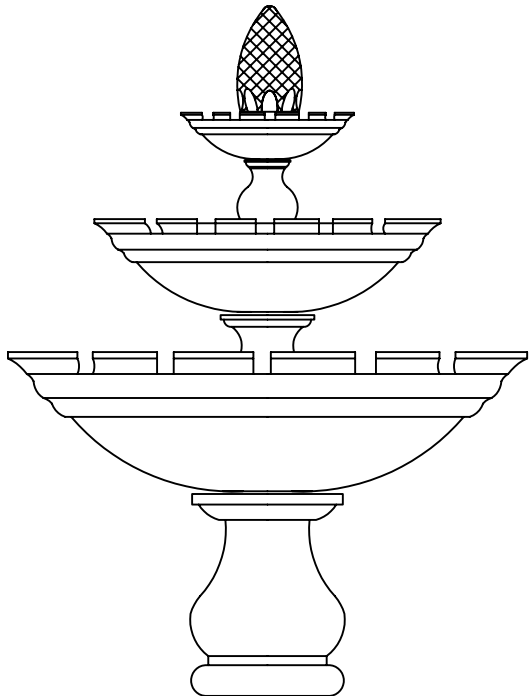
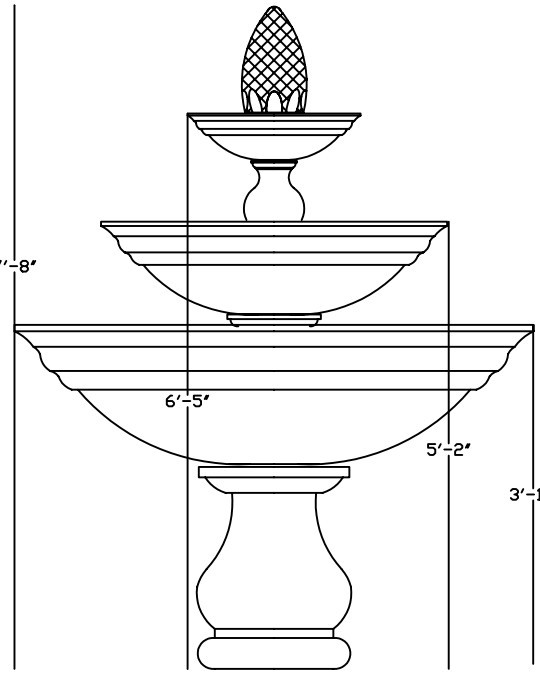


8'-5³/₄"



COLOR: _____

TEXTURE: _____

APPROVED: _____

DATE: _____

PROFILE: FOUNTAINS-7

QUANTITY: _____